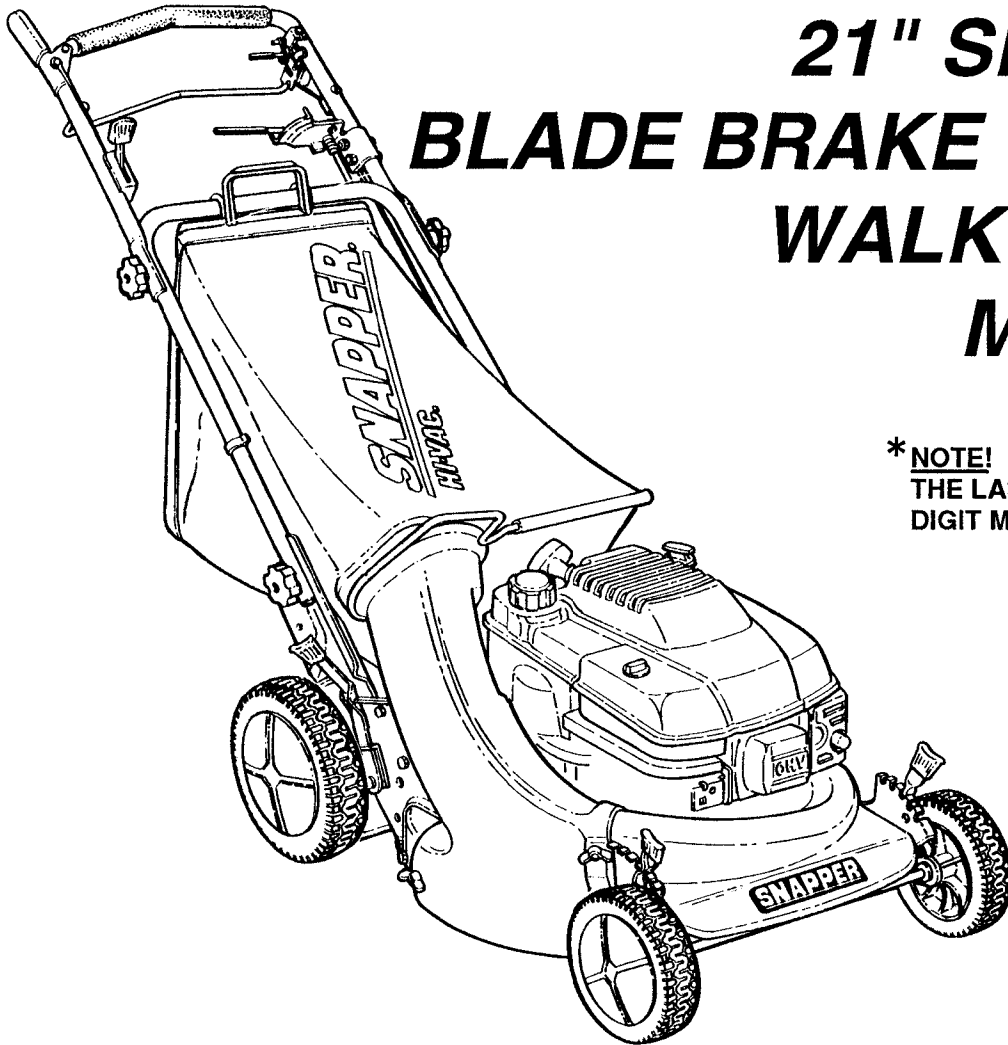


Parts Manual for
SNAPPER[®]

21" SERIES 0*
BLADE BRAKE CLUTCH
WALK BEHIND
MOWERS

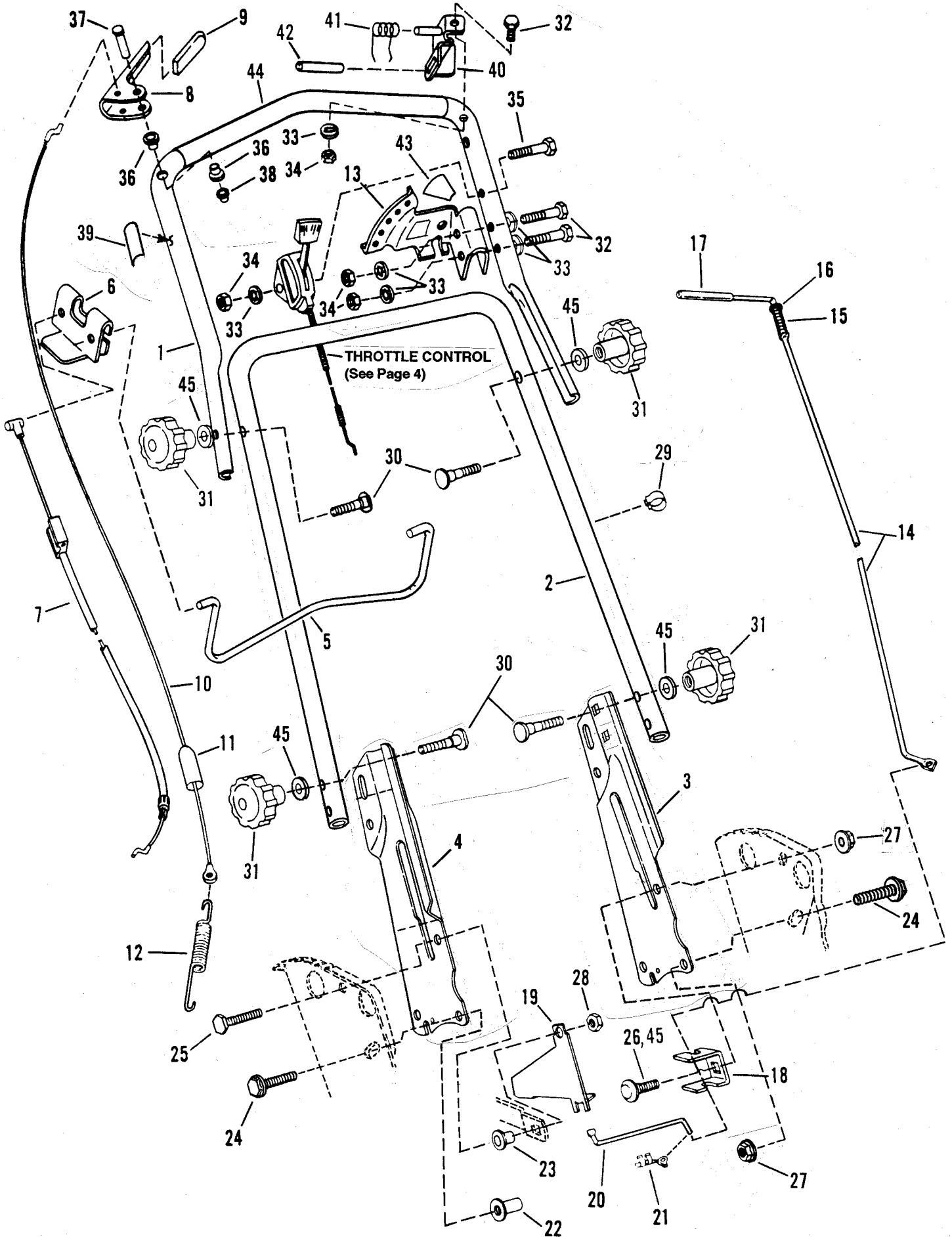


* **NOTE!** THE SERIES NUMBER IS THE LAST NUMBER IN THE FIVE DIGIT MODEL DESIGNATION.

| INDEX - GROUP | PAGE(S) |
|-------------------------------------|----------------|
| HANDLES, CONTROLS..... | 2 - 3 |
| THROTTLE CONTROLS | 4 |
| ENGINE SPECIFICATIONS | 4 |
| SIDE CHUTES, ADAPTERS..... | 5 |
| CUTTING DECK, BLADES..... | 6 - 7 |
| DRIVE SYSTEM-(SELF PROPELLED) | 8 -11 |
| WHEELS, BRACKETS, LATCHES | 12 - 16 |
| ACCESSORIES..... | 17 - 19 |
| GRASS CATCHER..... | 17 |
| DECALS..... | 18 |

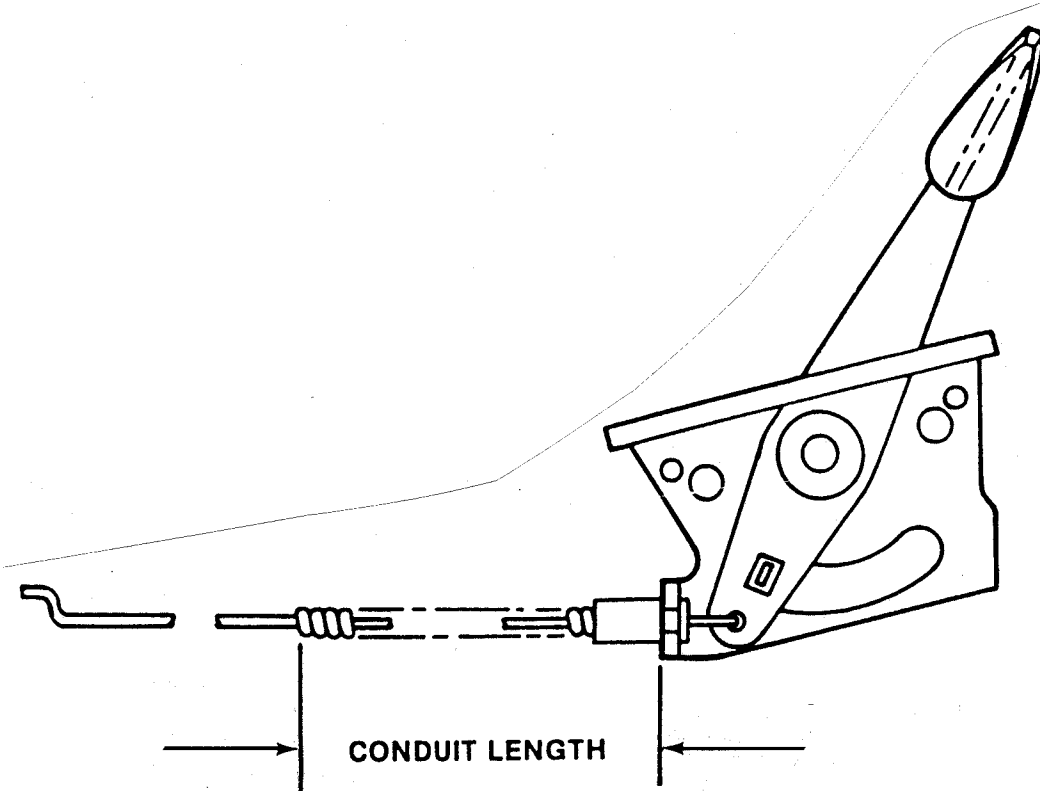
SNAPPER[®] McDonough, GA., 30253 U.S.A.
DIVISION OF FUQUA INDUSTRIES, INC.

HANDLES & CONTROLS



| ITEM | PART NO. | DESCRIPTION |
|------|----------|--|
| 1 | 2-4889 | HANDLE, Upper |
| 2 | 2-4890 | HANDLE, Middle |
| 3 | 3-3811 | HANDLE, Lower Left Hand |
| 4 | 3-3812 | HANDLE, Lower Right Hand |
| 5 | 2-5014 | CONTROL, Blade |
| 6 | 3-2445 | CLIP, Blade Control |
| 7 | 2-5037 | CABLE, Blade Control |
| 8 | 3-2826 | HANDLE, Wheel Drive |
| 9 | 1-4307 | GRIP, Wheel Drive Handle |
| 10 | 2-5013 | CABLE, Clutch Pull (Self Propelled Models) |
| 11 | 1-2121 | COVER, Vinyl |
| 12 | 1-2122 | SPRING, Clutch |
| 13 | 3-8478 | SECTOR, Speed |
| 14 | 1-2317 | LEVER, Speed Control |
| 15 | 1-2093 | SPRING, Speed Control |
| 16 | 9-0188 | WASHER, 3/8 Flat |
| 17 | 2-3801 | GRIP, Speed Control Handle |
| 18 | 3-2830 | ANCHOR, Speed Control |
| 19 | 3-2408 | GUIDE, Lower V-Belt |
| 20 | 2-3790 | ROD, Transfer |
| — | 5-1698 | ASSEMBLY, Transfer Rod (Euro) (Not Shown) |
| 21 | 1-0937 | CLIP, Transfer Rod |
| 22 | 9-0895 | TEE-NUT, 5/16-18 |
| 23 | 1-2114 | BUSHING, Differential |
| 24 | 9-0595 | BOLT, 5/16-18x3/4 Flange Lock |
| 25 | 9-0238 | CAPSCREW, 5/16-24 x 1 |
| 26 | 9-1026 | BOLT, 5/16-18x5/8 Carriage |
| 27 | 9-1070 | NUT, 5/16-18 Hex Flange Lock |
| 28 | 9-1074 | NUT, 5/16-24 Center Lock |
| 29 | 2-3813 | CLIP, Cable/Wiring |
| 30 | 9-1189 | SCREW, 5/16-18 x 2" Curved Head |
| 31 | 2-3735 | KNOB, 5/16-18 |
| 32 | 9-1025 | CAPSCREW, 1/4-28 x 1-3/8 |
| 33 | 9-1023 | LOCKWASHER, 1/4 Internal Tooth |
| 34 | 9-1024 | NUT, 1/4-20 Hex |
| 35 | 9-1022 | CAPSCREW, 1/4-28 x 1-3/4 |
| 36 | 1-4343 | BUSHING |
| 37 | 2-3792 | PIN, Clutch Handle |
| 38 | 9-1020 | PUSH-NUT (for handle pin) |
| 39 | 2-4089 | DECAL, Blade Control (R.H. Side) |
| 40 | 5-1904 | ASSEMBLY, Blade Control Bracket |
| 41 | 1-5108 | SPRING, Blade Control |
| 42 | 1-4946 | GRIP, Pivot |
| 43 | 2-4087 | DECAL, Speed Sector |
| 44 | 2-2460 | GRIP, Foam |
| 45 | 9-1068 | LOCKWASHER, 5/16 Internal Tooth |

THROTTLE CONTROL



1993 MODELS

| <u>ENGINE/MODEL</u> | <u>(CYCLE)</u> | <u>PART NO.</u> | <u>CONDUIT LENGTH</u> |
|---------------------|----------------|-----------------|-----------------------|
| BRIGGS | (4) | 2-4476 | 58-1/4" |

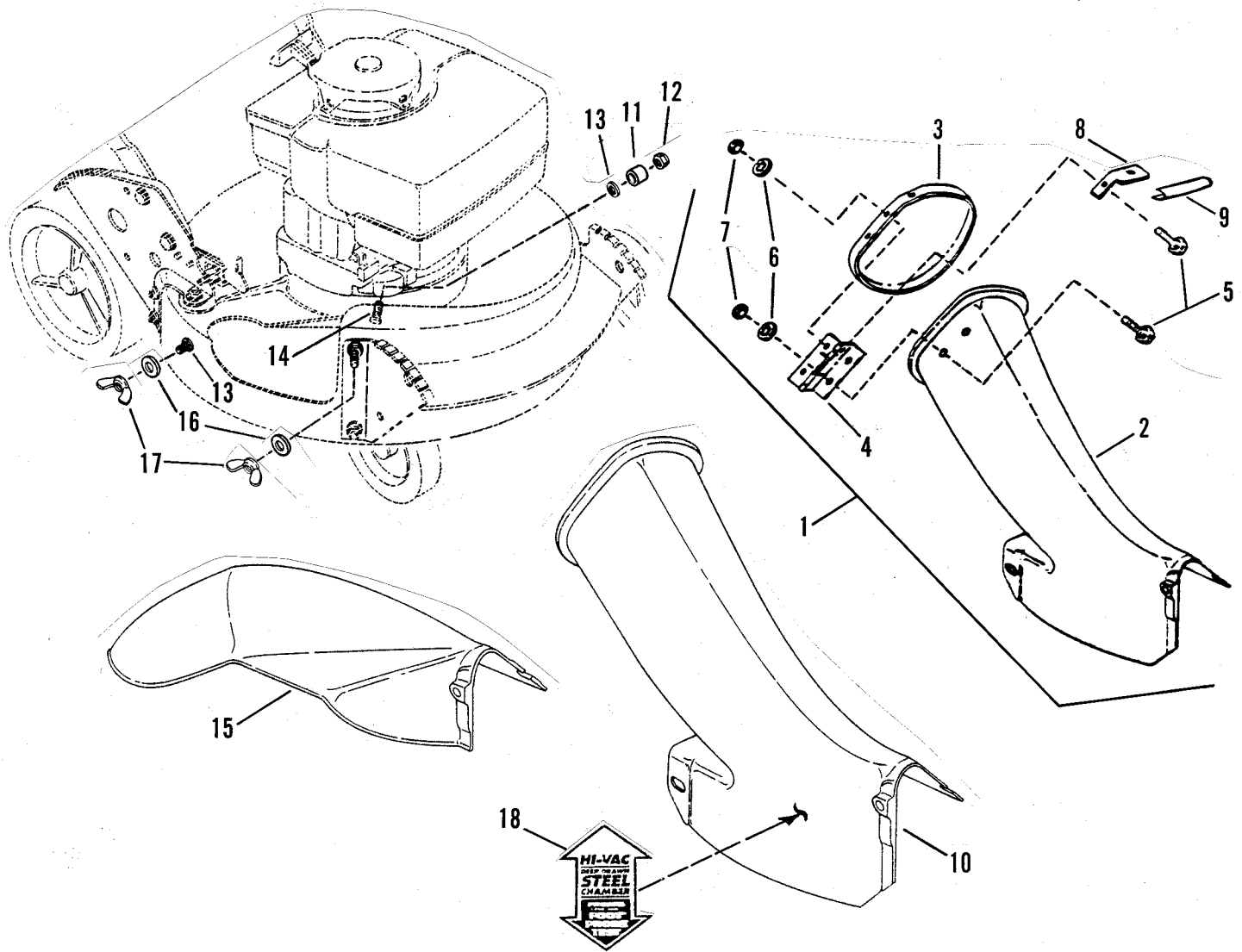
NOTE: Throttle control cable and fuel line are attached to engine with two cable ties # 1-2080.

ENGINE SPECIFICATIONS

| <u>ENG. H.P.</u> | <u>START TYPE</u> | <u>SNAPPER #</u> | <u>ENG. MFGR.</u> | <u>MFGR. MODEL</u> | <u>MFGR. TYPE</u> |
|------------------|-------------------|------------------|-------------------|--------------------|-------------------|
| 5.5 | ROPE | 2-2737 | BRIGGS | 99772 | 0110-01 |

NOTE: PURCHASE ENGINE PARTS FROM ENGINE MANUFACTURER'S DEALER.

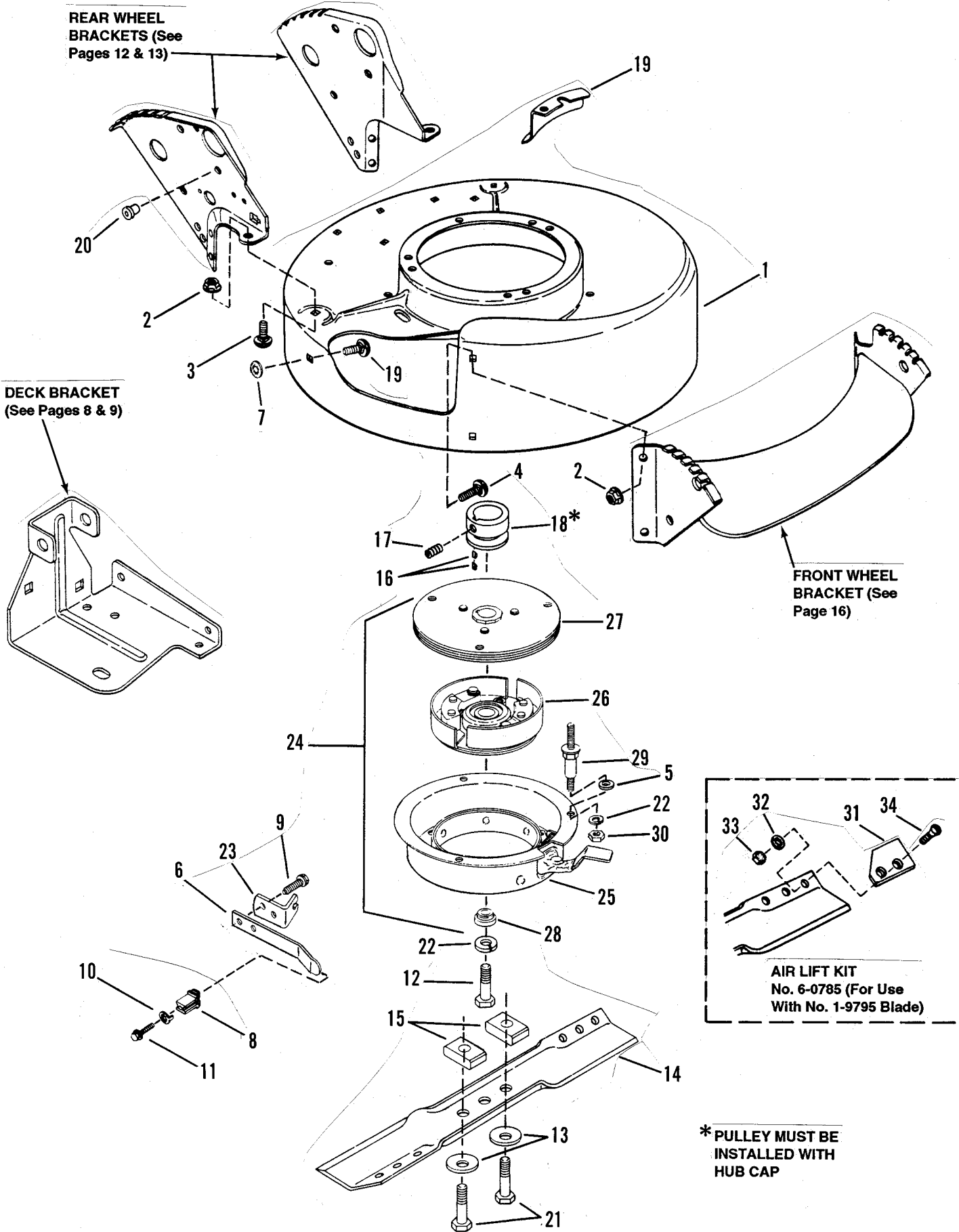
SIDE CHUTE, ADAPTER



| ITEM | PART NO. | DESCRIPTION |
|------|----------|---|
| 1 | 5-1951 | ASSEMBLY, Bag Adapter & Cover (European Models Only) (Includes Items 2 thru 9) |
| 2 | 1-6107 | ADAPTER, Grass Bag |
| 3 | 1-9287 | COVER, Bag Adapter |
| 4 | 2-3000 | HINGE, Chute Cover |
| 5 | 9-0005 | BOLT, 1/4-20 x 1/2" Short Neck Carriage (5) |
| 6 | 9-1023 | WASHER, 1/4 Internal Tooth Lock (5) |
| 7 | 9-0063 | NUT, 1/4-20 Hex (5) |
| 8 | 3-2661 | STOP, Cover |
| 9 | 2-3042 | MOLDING, Trim |
| 10 | 1-6050 | ADAPTER, Grass Bag |
| 11 | 2-4340 | SPACER |
| 12 | 9-0951 | NUT, 5/16-18 Hex Flange |
| 13 | 1-1791 | RETAINER, 5/16 Bolt |
| 14 | 9-0001 | BOLT, 5/16-18 x 3/4" Short Neck Carriage |
| - | 6-0955 | KIT, Side Chute (Includes a quantity of 10 of Item 15) |
| 15 | 1-6090 | CHUTE, Side, 21" Deck |
| 16 | 9-1076 | WASHER, 5/16 Flat |
| 17 | 2-4085 | WING-NUT, 5/16-18 Nyloc |
| 18 | 2-4169 | DECAL, Hi-Vac/Foot Probe (Red) |

PAC-N-SAC components found in separate manual #06121.

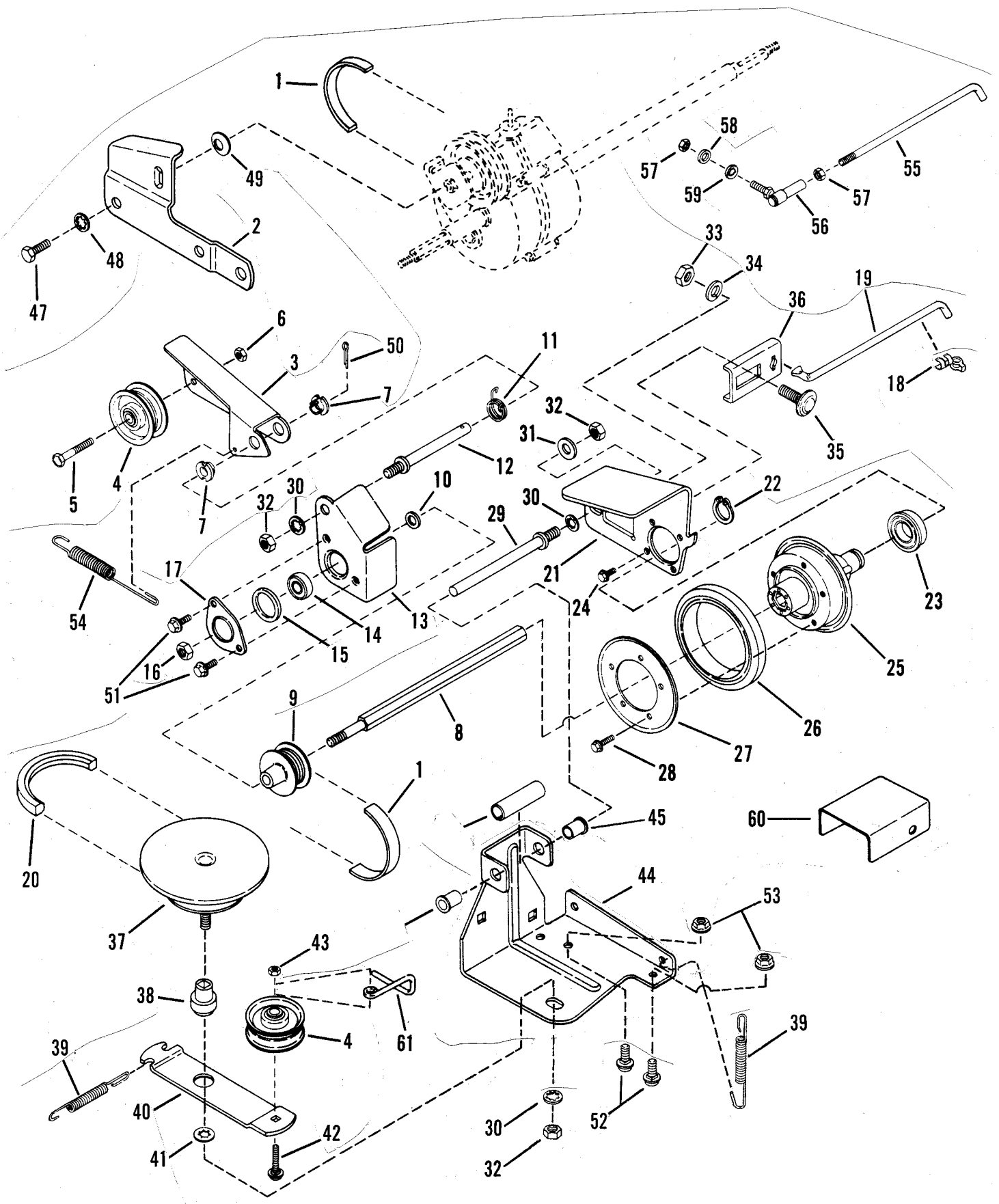
CUTTING DECK, BLADE, INTERLOCK



CUTTING DECK, BLADE, INTERLOCK

| ITEM | PART NO. | DESCRIPTION |
|------|----------|--|
| 1 | 5-1598 | DECK, Mower (Includes painted Deck) |
| 2 | 9-0585 | NUT, Hex Flanged Lock (10) |
| 3 | 9-0731 | BOLT, 5/16-18 x 1/2" Short Neck Carriage Gr. 5 (9) |
| 4 | 9-1169 | BOLT, Bolt 5/16-18 x 1-1/8" Short Neck Carriage |
| 5 | 1-2316 | WASHER, 3/8 Flat (3) |
| 6 | 3-2417 | SPRING, Wheel Bracket Type Interlock |
| 7 | 1-1791 | RETANER, 5/16 Bolt (3) |
| 8 | 2-6175 | INSULATOR, Interlock |
| 9 | 9-0539 | SCREW, 1/4-20x1/2" Hex Self-tapping (2) |
| 10 | 9-0385 | WASHER, No. 8 Tab Int. Tooth Lock |
| 11 | 9-0379 | SCREW, #8-18 x 3/4" Hex Head Machine |
| 12 | 9-0167 | SCREW, 3/8-24 x 2.0" Hex Head Cap |
| 13 | 1-2063 | WASHER, Cone (2) |
| 14 | 1-9795 | BLADE, Cutter |
| 15 | 3-2175 | SPACER, Blade (2) |
| 16 | 1-0783 | KEY, Hi-Pro |
| — | 1-5894 | KEY, Woodruff |
| 17 | 9-0201 | SCREW, 5/16-18 x 5/16" Hex Socket Set |
| 18 | 1-5780 | PULLEY, Engine (25mm I.D. x 2-1/8" O.D.) |
| 19 | 9-0001 | BOLT, 5/16-18 x 3/4" Short Neck Carriage (3) |
| 20 | 1-2135 | BUSHING, Interlock Wire |
| 21 | 9-0503 | SCREW, 3/8-16 x 1-3/4" Hex Head Cap (2) |
| 22 | 9-0118 | LOCKWASHER, 3/8 Split |
| 23 | 3-2421 | BRACKET, CABLE-BBC |
| 24 | 5-2818 | ASSEMBLY, Blade Clutch (Includes items 25 thru 28) |
| 25 | 1-6582 | ASSEMBLY, Bowl & Brake |
| 26 | 1-4178 | ASSEMBLY, Clutch Bearing |
| 27 | 2-4349 | ASSEMBLY, Flywheel |
| 28 | 1-4176 | WASHER, Blade |
| 29 | 1-5095 | STAND-OFF (Engine Mounting) (3) |
| 30 | 9-0613 | NUT, 3/8-16 Hex Flange Lock (3) |
| — | 6-0785 | KIT, Air Lift. (Includes items 31 thru 34) |
| 31 | 3-2558 | LIFT, Air (2) |
| 32 | 9-0391 | WASHER, 5/16 Internal Tooth Lock (4) |
| 33 | 9-0223 | NUT, 5/16-24 Hex (4) |
| 34 | 9-0228 | SCREW, 5/16-24 x 21/32" Machine (4) |

DRIVE SYSTEM SELF-PROPELLED



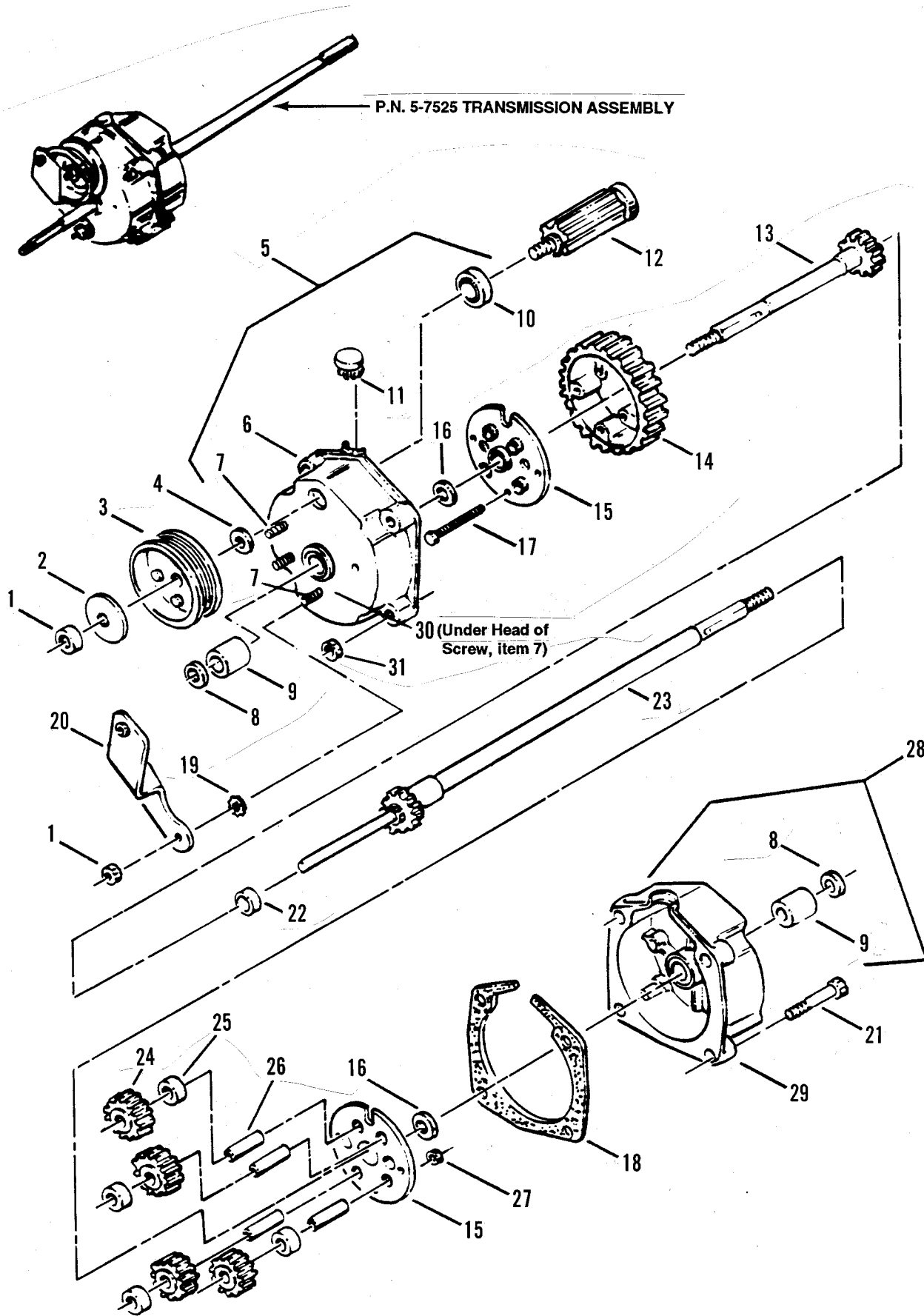
DRIVE SYSTEM SELF-PROPELLED

| ITEM | PART NO. | DESCRIPTION |
|-------|----------|---|
| 1 | 1-2354 | BELT, Poly-Vee |
| 2 | 3-1880 | LINK, Differential |
| - | 5-1921 | ASSEMBLY, Clutch Idler (Includes items 3 thru 7) |
| 3 | 3-2832 | ARM, Clutch Idler |
| 4 | 1-2124 | PULLEY, Idler (2) |
| 5 | 9-1025 | SCREW, 1/4-28x1-3/8" Hex Head Cap |
| 6 | 9-0303 | NUT, 1/4-28 Hex Lock |
| 7 | 1-2117 | BUSHING, 3/8 I.D. Nylon (2) |
| 8 | 2-3744 | SHAFT, Hex |
| 9 | 1-9383 | PULLEY, Poly-V |
| 10 | 1-2316 | WASHER, 3/8 Flat |
| 11 | 1-2126 | SPRING, Torsion |
| 12 | 1-2111 | STUD |
| 13 | 3-1873 | HOLDER, Bearing (Inner Half) |
| 14 | 1-2304 | BEARING, Ball |
| 15 | 1-1025 | O-RING |
| 16 | 9-0289 | NUT, 3/8-24 Hex Center Lock |
| 17 | 3-1809 | HOLDER, Bearing (Outer Half) |
| 18 | 1-0937 | CLIP, 1/4 Right Arc (Transfer Rod) |
| 19 | 2-3790 | ROD, Transfer (Standard Models) |
| 20 | 1-2353 | BELT, Engine Drive |
| - | 5-7444 | ASSEMBLY, Driven Disc (Includes items 21 thru 28) |
| 21 | 3-8486 | PLATE, Thrust |
| 22 | 1-0746 | RING, Retaining |
| 23 | 1-5474 | BEARING, Ball |
| 24 | 9-0981 | SCREW, #10-32x1/4" Self-Tapping Machine (4) |
| 25 | 5-1616 | ASSEMBLY, Hub (Includes 1-1108 Bushing & Two 9-0913 Screws) |
| 26 | 2-3364 | RING, Driven |
| 27 | 3-1013 | PLATE, Ring Retaining |
| 28 | 9-0913 | SCREW, #10-24x1/2" Self-Tapping Machine (5) |
| 29 | 1-2125 | GUIDE, Thrust Plate |
| 30 | 9-0390 | WASHER, 3/8 Internal Tooth Lock (3) |
| 31 | 9-0122 | WASHER, 3/8 Flat |
| 32 | 9-0155 | NUT, 3/8-24 Hex (3) |
| 33 | 9-0196 | NUT, 5/16-18 Hex (Standard Models) |
| 34 | 9-0187 | WASHER, 5/16 Split Lock (Standard Models) |
| 35 | 9-1097 | BOLT, 5/16-18x3/4" Carriage (Standard Models) |
| 36 | 3-2831 | CONNECTOR, Transfer Rod (Standard Models) |
| 37 | * | ASSEMBLY, Drive Disc |
| 38 | * | BUSHING |
| 39 | 1-7326 | SPRING (Wheel Drive & Idler) (2) |
| 40 | 3-2116 | ARM, Idler |
| 41 | 1-3847 | RETAINER, 3/8 Bolt |
| 42 | 9-0947 | BOLT, 1/4-20x1-1/2" Carriage |
| 43 | 9-0372 | NUT, 1/4-20 Hex Center Lock |
| - | 5-2987 | ASSEMBLY, Deck Bracket (Includes items 44 thru 46) |
| 44 | 3-3774 | BRACKET, Deck |
| 45 | 1-2306 | BUSHING, Flange (2) |
| 46 | 2-1758 | SPACER |
| 47 | 9-0534 | SCREW, 5/16-18x1/2" Hex Head Cap |
| 48 | 9-1068 | WASHER, 5/16 Internal Tooth Lock |
| 49 | 1-1079 | WASHER, Spring |
| 50 | 9-0555 | PIN, 3/32x1/2" Cotter |
| 51 | 9-0539 | SCREW, 1/4-20x1/2" Self-Tapping |
| 52 | 9-0731 | BOLT, 5/16-18x5/8" Short neck Carriage (2) |
| 53 | 9-0585 | NUT, 5/16-18x5/8" Hex Flange Nut |
| 54 | 1-2122 | SPRING, Clutch |
| ** 55 | 1-5752 | LINK, Transfer |
| ** 56 | 1-5753 | JOINT, Ball (Commercial Models) |
| ** 57 | 9-0095 | NUT, 1/4-28 Hex (Commercial Models) |
| ** 58 | 9-0055 | WASHER, 1/4 Flat (Commercial Models) |
| ** 59 | 9-0053 | WASHER, 1/4 Internal Tooth Lock (Commercial Models) |
| ** 60 | 3-2664 | SHIELD, Hex Shaft |
| 61 | 1-6380 | SCRAPER, Drive Pulley |

**** NOTE: Used on European Models Only.**

*** NOTE: Order Kit #6-0710 for Replacement**

TRANSMISSION (DIFFERENTIAL)

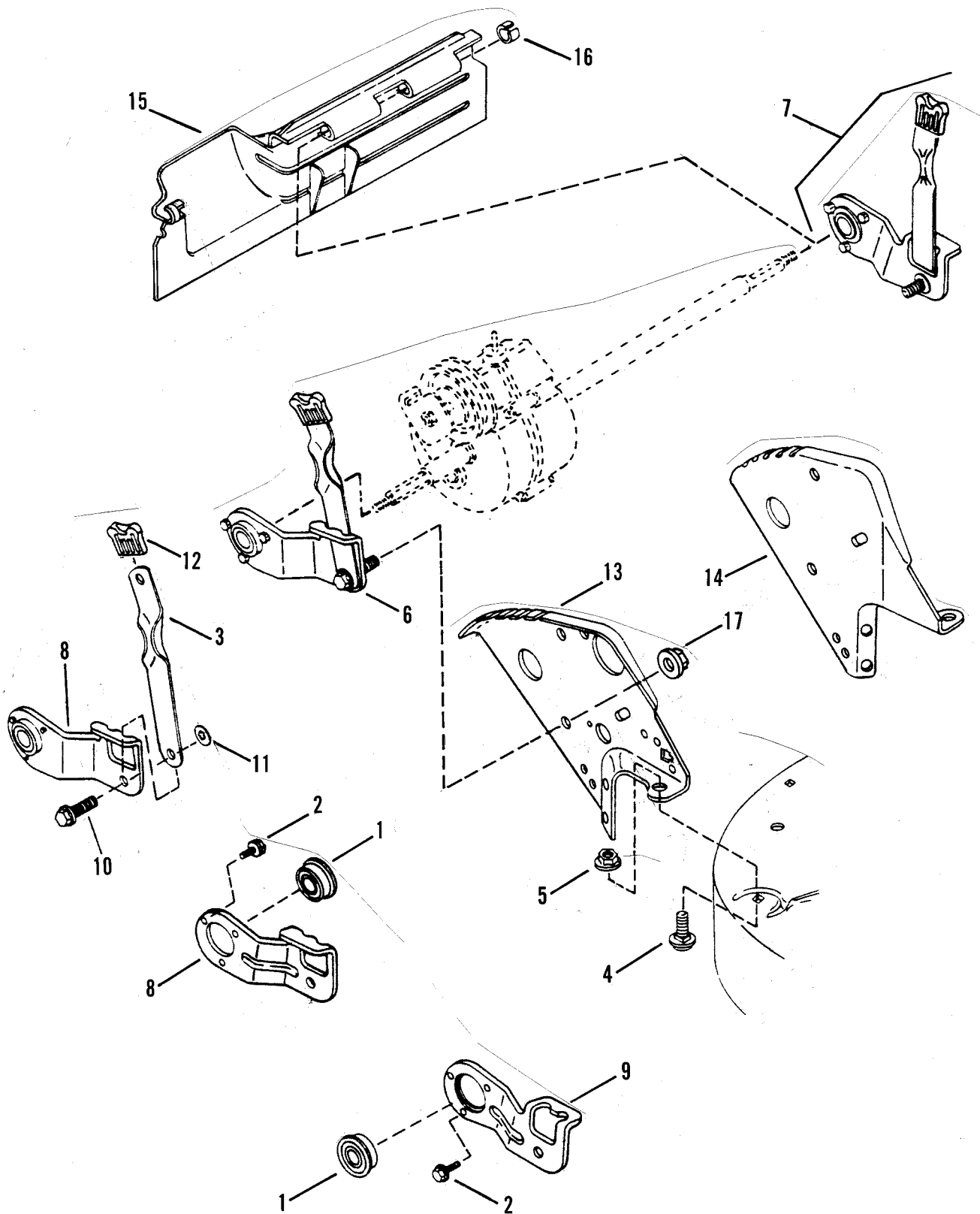


TRANSMISSION (DIFFERENTIAL)

| ITEM | PART NO. | DESCRIPTION |
|------|----------|--|
| - | 5-7525 | ASSEMBLY, Transmission (Includes items 1 thru 31) |
| 1 | 1-1201 | NUT, 5/16-24 Hex Lock (4) |
| 2 | 1-4263 | WASHER, Spring |
| 3 | 1-9213 | PULLEY, Poly-Vee Belt |
| 4 | 1-1724 | WASHER, Spring |
| 5 | 5-9794 | ASSEMBLY, Housing Right (Includes items 6 thru 10) |
| 6 | 1-7080 | HOUSING, Right Side |
| 7 | 1-4155 | SCREW, 5/16-24x1-1/8" Rib Neck (3) |
| 8 | 1-2314 | SEAL, 5/8 I.D. (2) |
| 9 | 1-2507 | BEARING, Differential (2) |
| 10 | 1-1767 | BEARING, Ball |
| 11 | 1-6544 | PLUG, Housing |
| 12 | 5-0767 | GEAR, Input |
| 13 | 5-0830 | AXLE, Short |
| 14 | 1-2495 | GEAR, Differential (46 Tooth) |
| 15 | 3-1970 | PLATE (2) |
| 16 | 3-1965 | WASHER, Thrust (2) |
| 17 | 9-0557 | SCREW, #10-32x1-1/2" Hex Head Cap (4) |
| 18 | 1-1774 | GASKET, Housing |
| 19 | 9-0189 | WASHER, 5/16 Internal/External Tooth Lock (3) |
| 20 | 5-1903 | BRACKET, Differential |
| 21 | 9-0911 | SCREW, 1/4-20x1-1/4" Self-Tapping (4) |
| 22 | 1-2543 | SPACER, Axle Gear |
| 23 | 5-0831 | AXLE, Long |
| 24 | 2-1115 | GEAR, Pinion (12 Tooth) (4) |
| 25 | 1-2500 | SPACER, Pinion Gear (4) |
| 26 | 1-1110 | SHAFT, Pinion (4) |
| 27 | 9-0376 | NUT, #10-32 Hex Lock (4) |
| 28 | 5-7523 | ASSEMBLY, Housing Left (Includes items 8,9 & 29) |
| 29 | 1-7015 | HOUSING, Left Side |
| 30 | 2-4442 | GASKET, 5/8 O.D. |
| 31 | 9-0303 | NUT, 1/4-28 Hex Lock (4) |

**NOTE: #6-0337 KIT, Transmission Gear (Includes
Items 14 thru 17, Item 22, & Items 24 thru 27).**

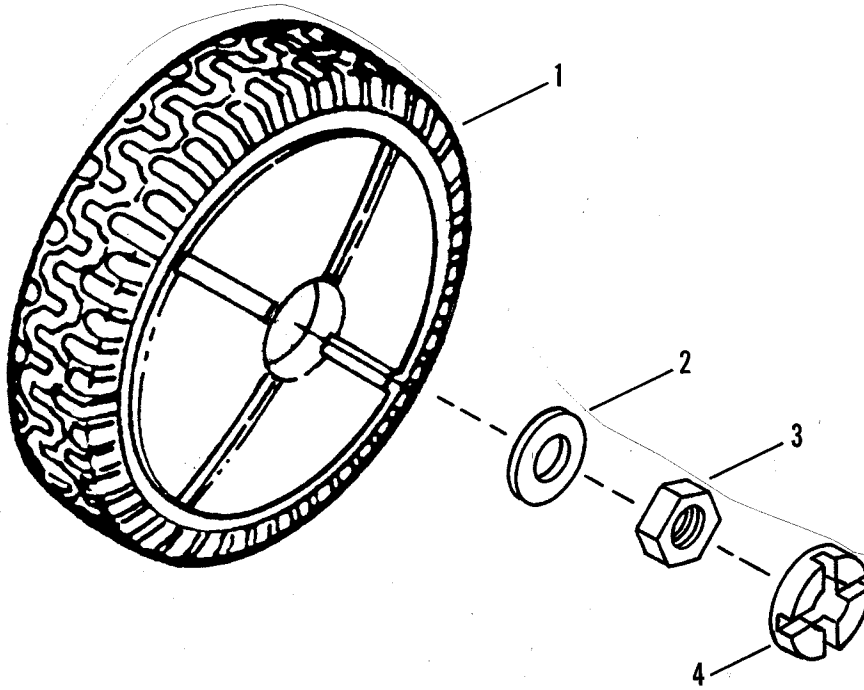
REAR WHEEL BRACKETS, LATCHES



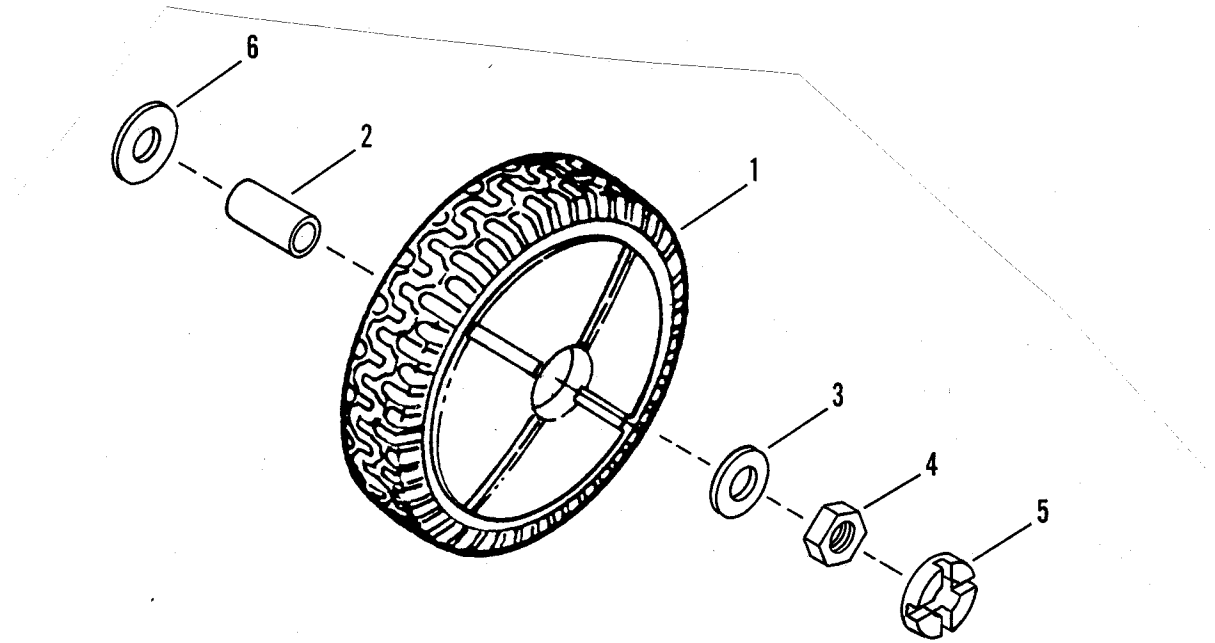
REAR WHEEL BRACKETS, LATCHES

| ITEM | PART NO. | DESCRIPTION |
|------|----------|---|
| 1 | 1-8767 | BEARING |
| 2 | 9-1012 | SCREW, #10-32 x 3/8" Self-Tapping (3) |
| 3 | 1-9218 | LATCH, Height Adjusting (Long) |
| 4 | 9-0001 | BOLT, 5/16-18 x 3/4" Short Neck Carriage |
| 5 | 9-1070 | NUT, 5/16-18 Hex Flange Lock (6) |
| 6 | 5-1814 | ASSEMBLY, Wheel Arm (Includes items 1, 2, 3, 8, 10, 11, 12) |
| 7 | 5-1815 | ASSEMBLY, Wheel Arm (Includes items 1, 2, 3, 9, 10, 11, 12) |
| 8 | 3-2722 | ARM, Right Rear Wheel, "P" Models |
| 9 | 3-2723 | ARM, Left Rear Wheel, "P" Models |
| 10 | 1-5761 | BOLT, 5/16-18 x 3/4" Shoulder |
| 11 | 1-1791 | RETAINER, 5/16 Bolt |
| 12 | 2-7702 | GRIP, Latch |
| 13 | 3-3846 | BRACKET, Right Rear Wheel (Self-Propelled "P" Models) |
| 14 | 3-6242 | BRACKET, Left Rear Wheel (Self-Propelled "P" Models) |
| 15 | 2-5000 | GUARD, Rear Foot (Self-Propelled "P" Models) |
| 16 | 2-3791 | RING, Black |
| 17 | 9-0585 | NUT, 5/16-18 Hex Flange Lock |

REAR WHEELS

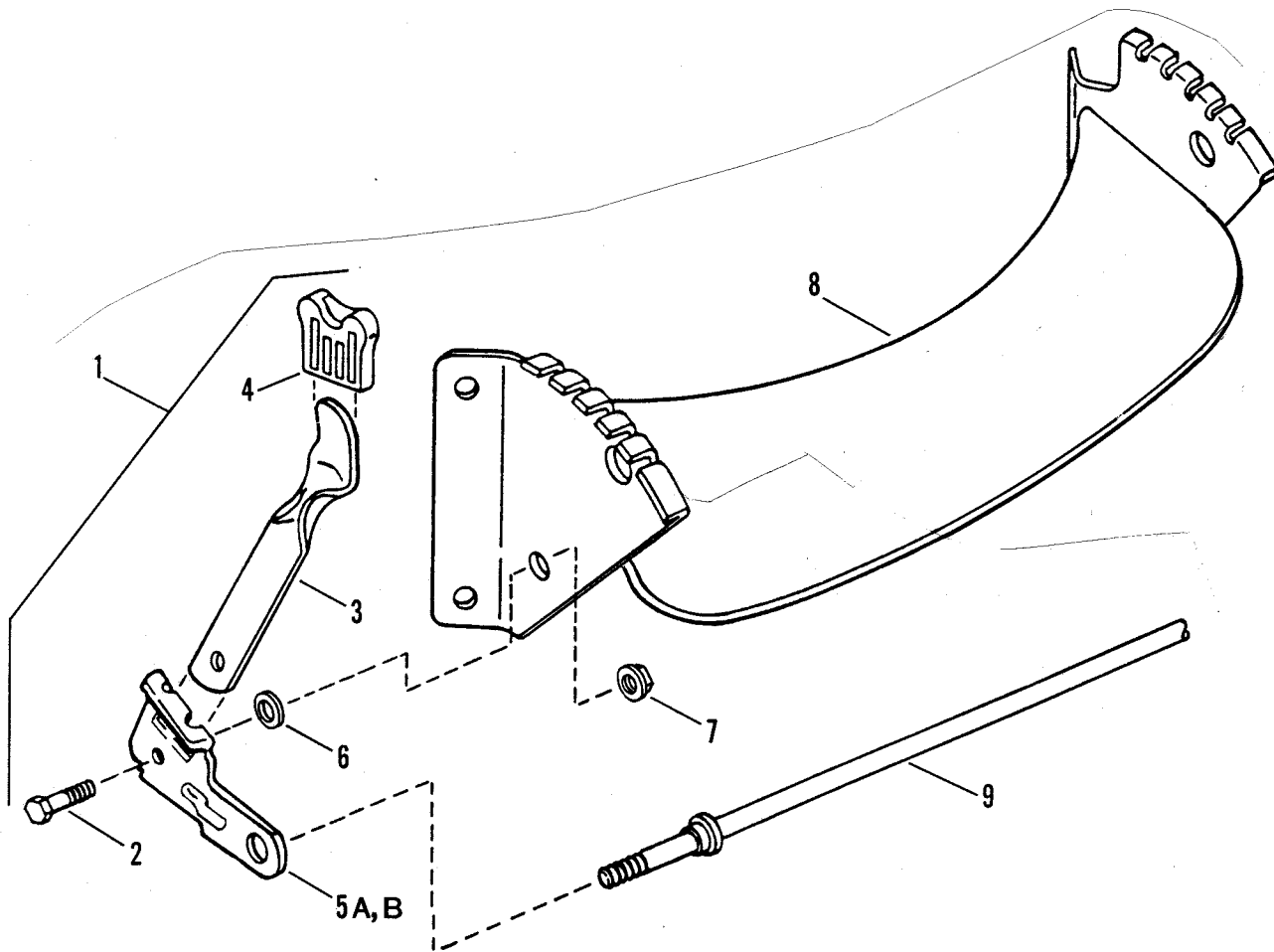


| ITEM | PART NO. | DESCRIPTION |
|------|----------|-------------------------|
| 1 | 1-9421 | WHEEL, 9 x 2.00, Steel |
| 2 | 9-1172 | WASHER, 7/8 Flat |
| 3 | 9-0377 | NUT, 7/16-20 Hex (Thin) |
| 4 | 1-7829 | PLUG, Wheel |

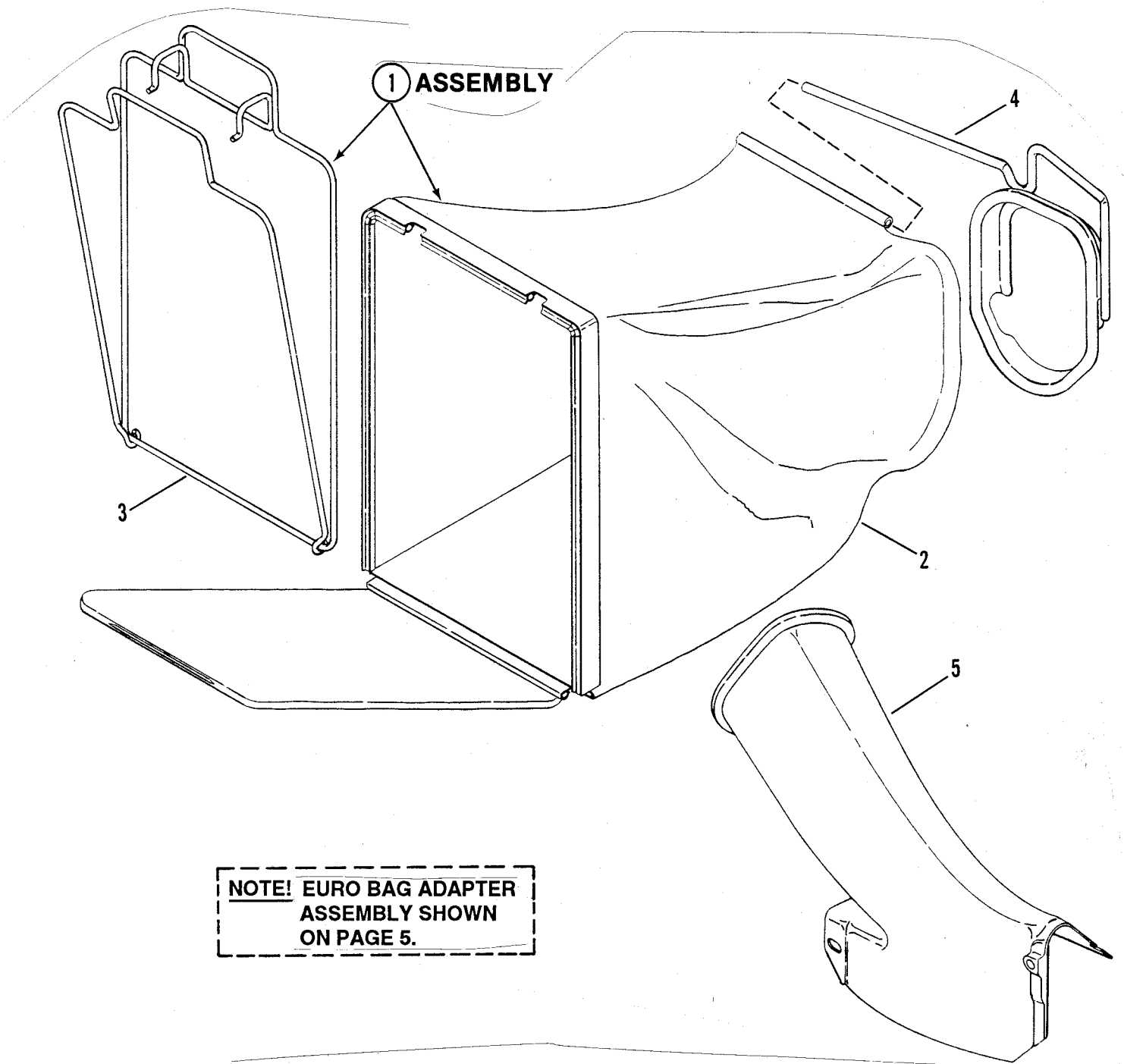


| ITEM | PART NO. | DESCRIPTION |
|------|----------|--------------------------|
| 1 | 2-5076 | WHEEL, 8 x 2.00, Plastic |
| 2 | 1-2309 | BUSHING, Axle |
| 3 | 9-1172 | WASHER, 7/8" O.D., Flat |
| 4 | 9-0377 | NUT, 7/16-20 Hex (Thin) |
| 5 | 1-7829 | PLUG, Wheel |
| 6 | 3-1961 | WASHER, 1" O.D., Flat |

FRONT WHEEL BRACKET, LATCHES

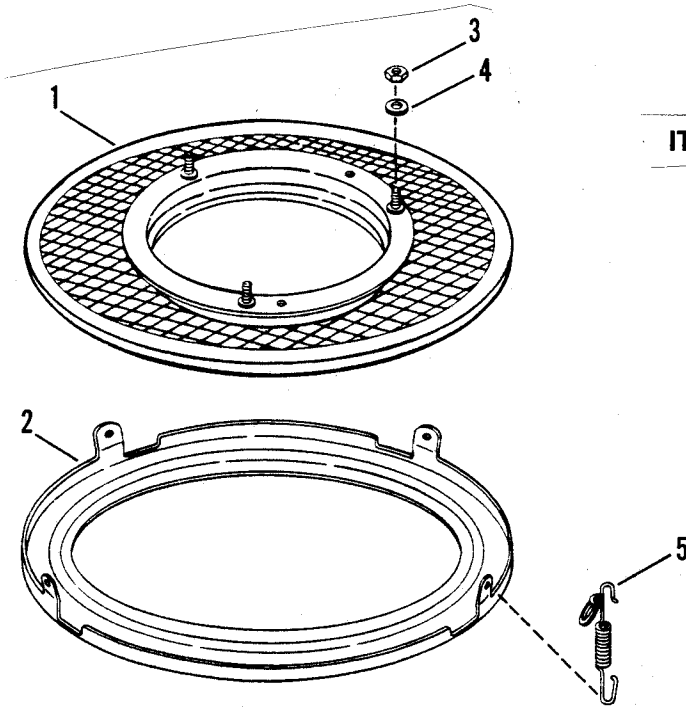


| ITEM | PART NO. | DESCRIPTION |
|------|----------|---|
| 1 | 5-1885 | ASSEMBLY, Arm, Left Wheel (Consists of Items 2, 3, 4, 5A, & 6) |
| - | 5-1886 | ASSEMBLY, Arm, Right Wheel (Consists of Items 2, 3, 4, 5B, & 6) |
| 2 | 1-5761 | BOLT, 5/16-18 x 3/4" Shoulder |
| 3 | 1-2325 | LATCH, Height |
| 4 | 2-7702 | GRIP, Latch |
| 5A | 3-1016 | ARM, Left Wheel |
| 5B | 3-1017 | ARM, Right Wheel |
| 6 | 1-1791 | RETAINER, 5/16 Bolt |
| 7 | 9-1070 | NUT, 5/16-18 Hex Flange |
| 8 | 4-1387 | BRACKET, Front Wheel |
| 9 | 2-1119 | AXLE |



**NOTE! EURO BAG ADAPTER
ASSEMBLY SHOWN
ON PAGE 5.**

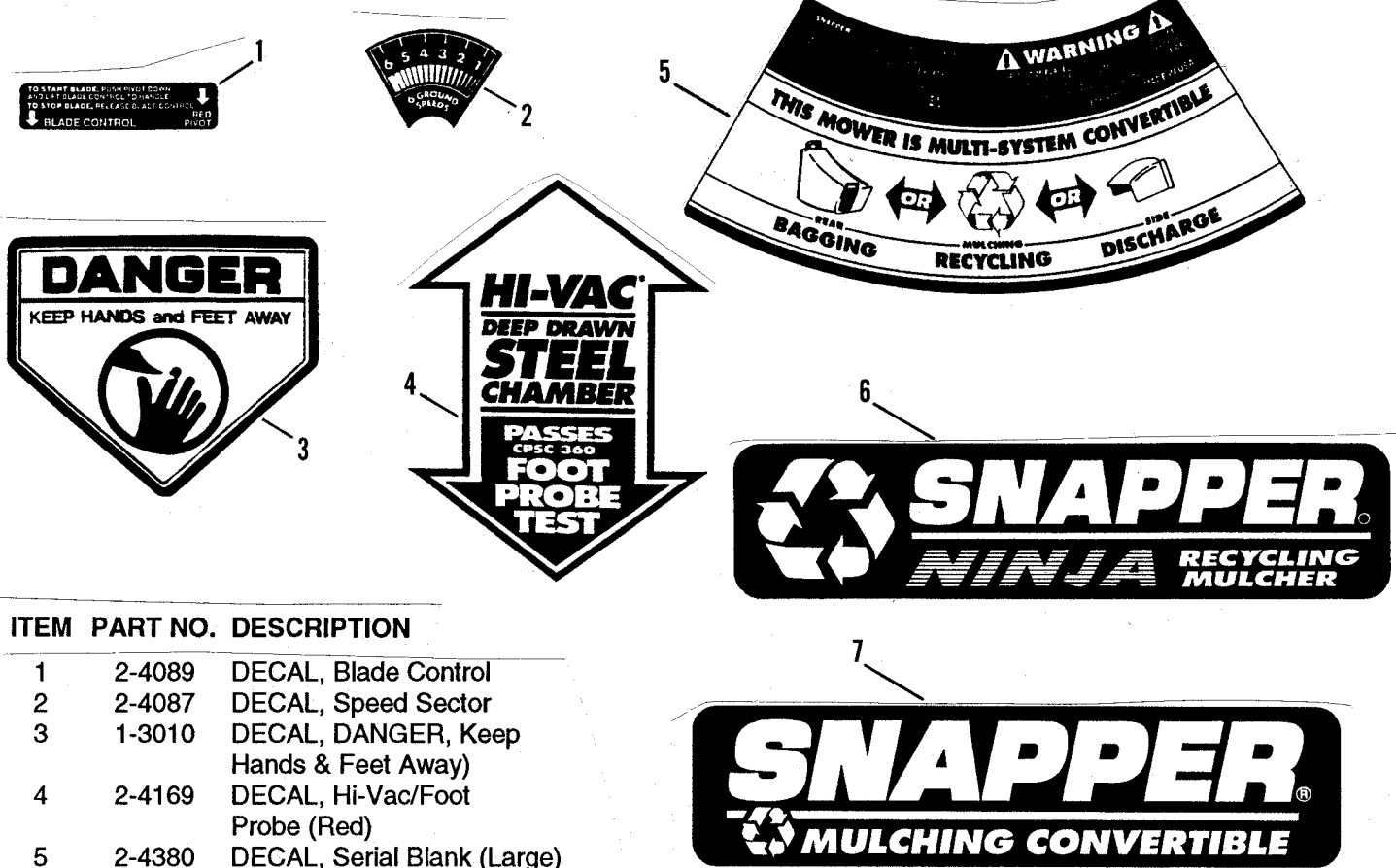
| ITEM | PART NO. | DESCRIPTION |
|------|----------|--|
| - | 6-1238 | KIT, Grass Bag Catcher (Includes items 2 thru 5) |
| 1 | 5-3012 | ASSEMBLY, Grass Bag (Includes items 3 & 4) |
| 2 | 2-5051 | BAG, Door Type (Wide) (Black) |
| 3 | 5-3013 | ASSEMBLY, Bag Wire |
| 4 | 4-7969 | CONNECTOR, Grass Bag |
| 5 | 1-6050 | ADAPTER, Bag |



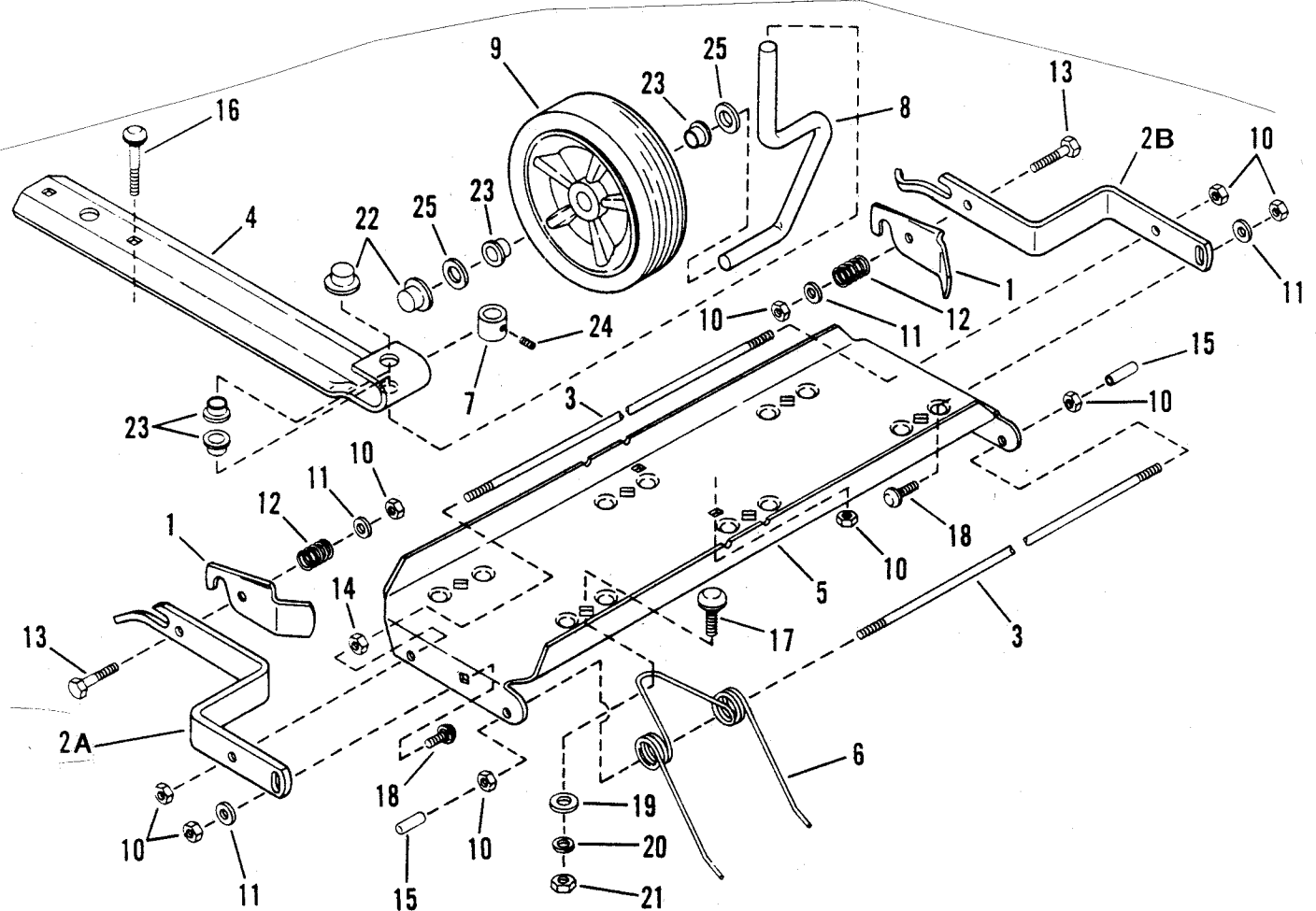
| ITEM | PART NO. | DESCRIPTION |
|------|----------|--|
| - | 6-0440 | KIT, Snapperizer (Includes items 1 thru 6) |
| 1 | 5-1243 | SCREEN, Fastener Assembly |
| 2 | 3-9759 | RING, Bottom |
| 3 | 9-0223 | NUT, 5/16-24 Hex (3) |
| 4 | 9-0187 | WASHER, 5/16 Split Lock (3) |
| 5 | 1-2587 | SPRING (3) |
| 6 | 9-0122 | WASHER, 3/8 Flat (Not Shown) |

NOTE! Install 3/8 Flat Washer Between The Screen And The Deck On The Discharge Area Mounting Stud On BBC Models ONLY.

DECALS



| ITEM | PART NO. | DESCRIPTION |
|------|----------|--|
| 1 | 2-4089 | DECAL, Blade Control |
| 2 | 2-4087 | DECAL, Speed Sector |
| 3 | 1-3010 | DECAL, DANGER, Keep Hands & Feet Away) |
| 4 | 2-4169 | DECAL, Hi-Vac/Foot Probe (Red) |
| 5 | 2-4380 | DECAL, Serial Blank (Large) |
| 6 | 2-6384 | LOGO, Recycling Mulcher (Ninja) |
| 7 | 2-6383 | LOGO, Mulching Convertible |



| ITEM | PART NO. | DESCRIPTION |
|------|----------|---|
| - | 6-0476 | KIT, Thatcherizer (Includes 1 Thru 27) |
| 1 | 1-4113 | LATCH, Frame Attachment (2) |
| 2A | 1-8497 | BAR, Mount (Right Hand) |
| 2B | 1-8498 | BAR, Mount (Left Hand) |
| 3 | 1-8499 | ROD, Tine (2) |
| 4 | 1-8700 | SUPPORT, Wheel |
| 5 | 1-9948 | TRAY, Tine |
| 6 | 1-8496 | SPRING, Tine Thatching (6) |
| 7 | 1-4100 | BUSHING, Wheel Adjuster |
| 8 | 1-8493 | AXLE, Wheel |
| 9 | 1-8189 | WHEEL, 7.00 x 1.50 Gage |
| 10 | 9-0761 | NUT, 1/4-20 Hex Lock (10) |
| 11 | 9-0055 | WASHER, 1/4 Flat (4) |
| 12 | 2-2425 | SPRING, Compression (2) |
| 13 | 9-0825 | BOLT, 1/4-20 x 1-1/4" Hex |

| ITEM | PART NO. | DESCRIPTION |
|------|----------|---|
| 14 | 9-0063 | NUT, 1/4-20 Hex (2) |
| 15 | 2-2424 | CAP, Vinyl (2) |
| 16 | 9-0798 | BOLT, 1/4-20 x 2-1/2" Carriage (2) |
| 17 | 9-0383 | BOLT, 5/16-18 x 1" Carriage (6) |
| 18 | 9-0074 | BOLT, 1/4-20 x 3/4" Carriage (2) |
| 19 | 1-4098 | WASHER, Reinforcing (6) |
| 20 | 9-0187 | WASHER, 5/16 Split Lock (6) |
| 21 | 9-0196 | NUT, 5/16-18 Hex (6) |
| 22 | 1-4101 | NUT, 1/2 Push (2) |
| 23 | 1-4342 | BEARING, Nyliner (4) |
| 24 | 1-4103 | SCREW, 5/16-18 x 1/4" Set |
| 25 | 9-0250 | WASHER, 1/2 Flat (2) |
| 26 | 1-4115 | DECAL, Adjustment (Not Shown) |
| 27 | 1-4062 | DECAL, Thatcherizer (Not Shown) |
| - | 6-0965 | KIT, Adapter (Includes Items 1,2 & 10 Thru 13) |

Parts Manual for

SNAPPER®

21" SERIES 0*

BLADE BRAKE CLUTCH

WALK BEHIND

MOWERS

IT IS THE POLICY OF SNAPPER POWER EQUIPMENT TO IMPROVE ITS PRODUCTS WHENEVER IT IS POSSIBLE AND PRACTICAL TO DO SO. WE RESERVE THE RIGHT TO MAKE CHANGES OR ADD IMPROVEMENTS AT ANY TIME WITHOUT INCURRING ANY OBLIGATION TO MAKE SUCH CHANGES ON PRODUCTS MANUFACTURED PREVIOUSLY.

SNAPPER® McDonough, GA., 30253 U.S.A.
DIVISION OF FUQUA INDUSTRIES, INC.